



G. MONDINI S.p.A.
DOSATRICI - CONFEZIONATRICI AUTOMATICHE

TRAVE PLATFORM
TECHNOLOGY



WHERE CREATIVITY, INNOVATION AND TECHNOLOGY **BECOME ONE**

Packaging science, technology and equipment is at the heart of the food industry. Retailer and consumer demands are evolving and changing on a regular basis challenging suppliers to meet these new demands efficiently and timely with innovative cost effective solutions.

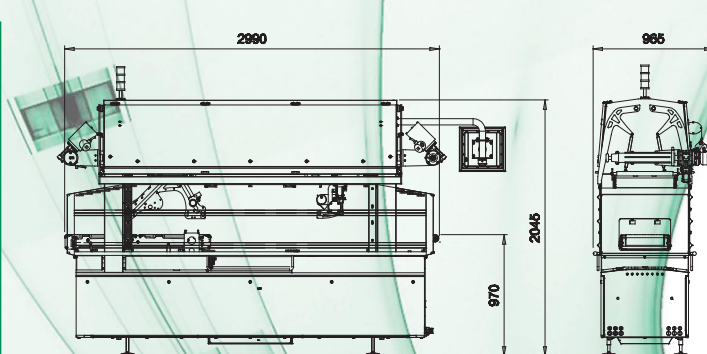
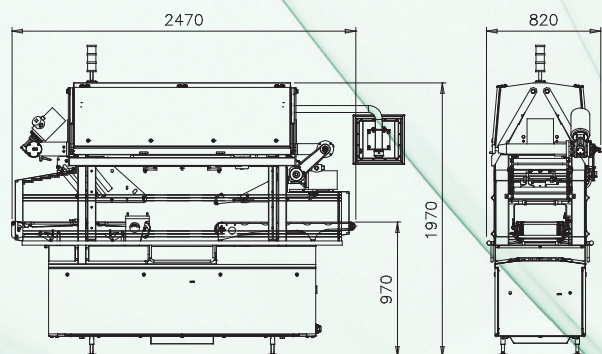
G Mondini S.p.A with its creative and innovative approach has developed the new PLATFORM Technology to address these challenges.

The PLATFORM Technology is a

system with unequalled performance to deliver multiple packaging solutions on the TRAVE tray-sealing range.

This new technology allows our customers a new freedom to seek out new business opportunities secure in the performance of the PLATFORM Technology. Standard in the TRAVE Tray Sealer this new technology creates many new selling opportunities. Through a simple tool change you can change packaging materials, pack formats

and technology. Uncompromising, the TRAVE tray sealer with the PLATFORM Technology delivers pack security and quality with proven packaging technologies at cost effective productions speeds. 100% Utilisation of the system with the TRAVE PLATFORM approach means a secure sound investment giving the flexibility to meet the challenges of a dynamic changing market.



• VACUUM SKIN



• DARFRESH® ON TRAY



• VACUUM SKIN DD

• HYBRIC FLAT® 3D



• PROTRUDING VACUUM SKIN



• SUPER PROTRUDING VACUUM SKIN



• FLEX FLEX PROTRUDING



• FLEX FLEX SUPER PROTRUDING



• MODIFIED ATMOSPHERE PACKAGING



• CRYOVAC MIRABELLA®



• PROTRUSION MAP



• STRETCH SEAL



• MAP RIGID LID



• BLOW MOLDED JARS